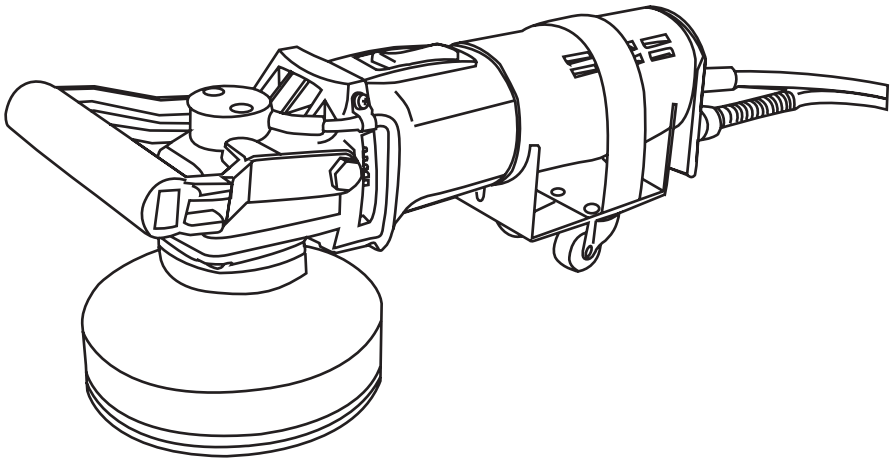


Alpha[®] Wet Electric Portable Polisher Instruction Manual



Part No: AWP-158 / AWP-214 / AWP-216 / AWP-21C

VERSION 3

 **Alpha Professional Tools**[®]

103 Bauer Drive, Oakland, NJ 07436 • 800-648-7229 • Fax: 800-286-0114
www.alpha-tools.com

TABLE OF CONTENTS


Introduction.....	3
About Symbols	3
Safety Instructions	3
For Safe Operation	3
Additional Precautions for Using the AWP-158	6
About Double Installation	7
Preparation Before Operation	8
Laws and Regulations of Noise Levels	8
AWP-158 Overview	9
Specifications	9
Standard Accessories.....	10
Before Use.....	10
Preparation and Inspection	10
Removal Procedures.....	13
How to Polish.....	13
Maintenance and Inspection	15
How to Replace Carbon Brushes.....	16
Services and Warranty Information	17
Repair	17
Loaner Program.....	17
Need More Information	17
AWP-158 Schematic	18
AWP-158 Parts List.....	19
EC Declaration of Conformity	22
Product Registration Card.....	23


INTRODUCTION

Thank you for purchasing the Alpha® Wet Polisher. Please read this instruction manual thoroughly to ensure safety and correct use of the polisher. Keep this manual in a place where operators can access it easily whenever necessary.


► ABOUT THE SYMBOLS

According to the hazard level, all safety notes in this manual are classified into “DANGER”, “WARNING”, and “CAUTION”.

 **DANGER!** Death or serious personal injury is imminent when handling this polisher incorrectly.


 **WARNING!** There is a possibility of death or serious personal injury when handling this polisher incorrectly.

 **CAUTION!** There is a possibility of personal injury or property damage when handling this polisher incorrectly.

Note: In some situations, failing to observe **WARNING** notes could result in  serious personal injury. Be sure to read and observe the safety notes to ensure safety and correct use of the polisher.

ELECTRICAL SYMBOLS

The following show the symbols used for tool.

V	Volts
A	Amperes
Hz	Hertz
~ or a.c.	Alternating Current
n0	No load speed
.../min	Revolution or reciprocation per minute
kg	Kilograms
	Protective Earth

CAUTION!

The following are important notes for products, operation, and maintenance applicable to this polisher.

SAFETY INSTRUCTIONS

Read all these instructions before attempting to operate this product.
Save these instructions in a safe place for future reference.

Warning: When using electric tools, basic safety precautions should always be followed to reduce the risk of fire, electric shock, and personal injury, including the following.

► FOR SAFE OPERATION

1. **Keep work area clean**
Cluttered areas and benches invite injuries.
2. **Consider work area environment**
Do not expose power tools to rain. Do not use power tools in damp or wet locations without GFCI protection. Keep work areas well lit. Do not use the tool in presence of flammable liquids or gases.
3. **Guard against electric shock**
Prevent body contact with grounded surfaces. For example: pipes, radiators, ranges, and refrigerator enclosures; use grounded outlets.
4. **Keep children and visitors away**
Do not let visitors contact tool or extension cord. All visitors should be kept away from work area. Keep out of reach of children.
5. **Tool Storage**
When not in use, tools should be stored in a secure dry location. A locked storage area or high shelf out of children's reach is ideal.
6. **Do not force the tool**
It will do the job better and be safer at the rate for which it was intended.
7. **Use the right tool**
Do not force a small tool or attachment to do the job of a heavy-duty tool. Do not use the tool for purposes it is not designed for – (for example – do not use circular saw for cutting tree limbs or logs.)
8. **Dress properly**
Do not wear loose clothing or jewelry. Items such as these can be caught in moving parts. Rubber gloves and non-skid footwear are recommended when working outdoors. Wear protective hair covering to contain long hair.
9. **Use safety glasses**
Always wear safety glasses and if necessary, a face or dust mask also.
10. **Do not abuse the electrical cord**
Never carry the tool by the electrical cord or pull it to disconnect from receptacle. Keep the electrical cord away from heat, oil and sharp edges.

11. **Secure workpiece**
Use clamps or a vise to hold workpiece rather than using your hands.
12. **Do not overreach**
Keep proper footing and balance at all times.
13. **Maintain tools with care**
Keep tools sharp and clean for better and safer performance. Follow instructions for lubricating and changing accessories. Inspect the electrical cord periodically and if damaged, have it repaired by authorized service facility. Inspect extension cords periodically and replace if damaged. Keep handles dry, clean and free from oil and grease.
14. **Disconnect tools**
Disconnect the tool from the power supply when not in use, before servicing, and when changing accessories, such as blades, bits, cutters.
15. **Remove adjusting keys and wrenches**
Check to see that keys and adjusting wrenches are removed from the tool before turning it on.
16. **Avoid unintentional starting**
Do not carry a plugged-in tool with finger on switch. Be sure the switch is off when plugging in.
17. **Outdoor use extension cords**
When tool is used outdoors, use only extension cords intended for use outdoors and so marked.
18. **Stay alert**
Use caution and do not operate tool when you are tired or on medication.
19. **Check for damaged parts**
Before further use of the tool, a guard or other part that is damaged should be carefully checked to determine that it will operate properly and perform its intended function. Check for alignment of moving parts, breakage of parts, mounting, and any other conditions that may affect its operation. A guard or other part that is damaged should be properly repaired or replaced by an authorized service center unless otherwise indicated elsewhere in this instruction manual. Have defective switches replaced by authorized service center. Do not use the tool if it cannot be turned on and off by the switch.
20. **Warning**
The use of any other accessory or attachment other than recommended in this instruction manual or the catalog may present a risk of personal injury and could void the warranty.
21. **Only qualified technicians should repair this tool**
This electric tool is manufactured in accordance with the standard safety rules. Only experts may carry out the repair of electric tools; otherwise, it may cause considerable danger for the operator.

ADDITIONAL PRECAUTIONS FOR USING THE AWP-158

In addition to the general safety notes described on the preceding pages, please read and observe the following precautionary notes before using the polisher.

 **DANGER!**

1. **Check the working voltage.**
Be sure the voltage available at power outlet matches specified voltage on the nameplate. If the polisher is used with higher voltage than specified, the motor will burnout. Any attempts to do so may damage the polisher or cause an accident or injury.
2. **Inspect all polishing discs.**
Never use cracked, chipped or damaged polishing discs.
3. **Hold the polisher tightly at start-up.**
Failure to do so may cause an injury due to high impact at initial start up.
4. **Stop using the polisher immediately when noticing any malfunctions or any suspicious abnormal noises.**
Turn the power switch OFF and contact your dealer or Alpha Professional Tools for repair.
5. **Handle the polisher with care.**
If you accidentally drop the polisher, do not use it until checking that it is not cracked, deformed, or damaged in any way.
6. **Do not pour water or any liquids onto or inside the polisher.**
It may cause electric shocks.
7. **Do not hold the polisher in a vice.**
8. **Do not touch any rotating parts.**
Never touch the polishing disc of the polisher during operation with your hands.
9. **Do not leave the disc while spinning on the bench, floor or surface of your workpiece.**
It may cause an accident or injury.

 **WARNING!**

10. **Attach the backer pad and polishing disc correctly by following the procedure in this instruction manual.**
Attaching the polishing discs incorrectly may cause an accident.
11. **Observe any suspicious abnormal noises when a polishing disc is attached for the first time and polisher is turned ON.**
It may cause bodily injury if the polishing disc flies off.
12. **Do not touch the polishing disc while spinning.**
The polishing disc spins very fast and you may hurt yourself.
13. **Be careful of your surroundings when working in high places.**
When working in high places, make sure there are no people below. Do not trap the power supply cord on anything or drop the polisher or any materials, otherwise, It may cause an accident.

► ABOUT DOUBLE INSULATION

This polisher is designed with double insulation. Two insulations are used between the conductor and the outer body of the polisher. An Electric Polisher with the double insulation highly improves safety from electric shocks. Do not attach or replace unspecified parts and do not assemble incorrectly. This may cause the insulation to malfunction.

► PREPARATION BEFORE OPERATION

1. GFCI Information.

- Since the Alpha® Wet Polisher is designed with double insulation, an in-line GFCI is provided as a standard accessory. For your safety and to prevent possible electric shocks, it is strongly advised to test the GFCI on a regular basis.

Note: The GFCI must be used for your safety when this polisher is used anywhere in a damp environment, when used with water, or when it is used on metal plates, steel frames or platens.

 **DANGER!**

Never attach a damaged extension cord to the polisher.

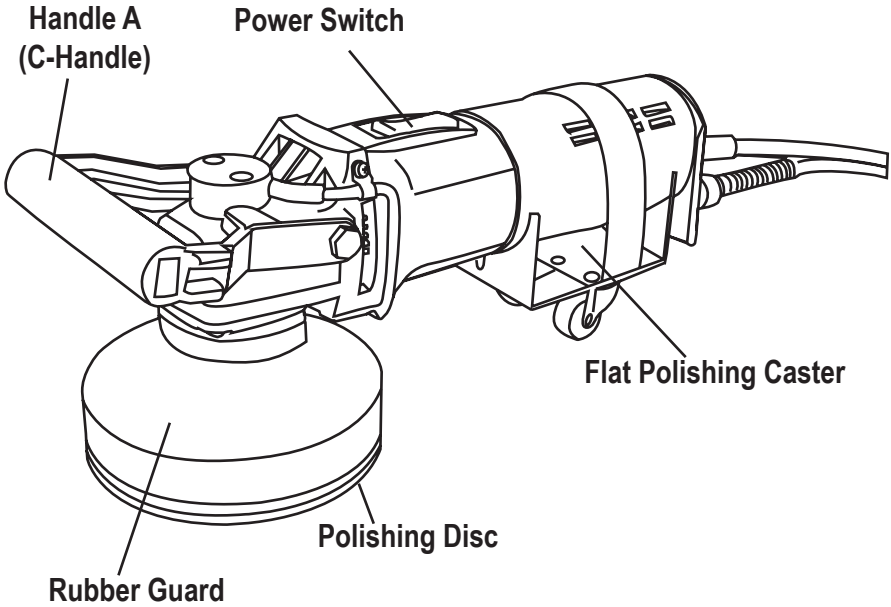
Note: Use the appropriate extension cord as referred below. The table shown below is for 115V use. For 220V use, the maximum length of a cord may be twice as long as the cord for 115V.

Gauge/AWG	Maximum Length
1.25mm ²	30 Ft / 10m
2mm ²	45 Ft / 15m
3.5mm ²	90 Ft / 30m

► LAWS AND REGULATIONS OF NOISE LEVELS

Please observe local laws and regulations regarding noise level in order to avoid disturbing surrounding areas. Install a soundproof wall if required to comply with the local laws and regulations.

AWP-158 OVERVIEW



► **SPECIFICATIONS**

Working Power Supply	Single-phase AC, 50/60 Hz
Voltage.....	110V / 220V
Amperage.....	7.8A / 3.8A
Wattage.....	800W
Motor	Single-phase
No Load	3,000 R.P.M.
Polishing Disc Size	4" / 100mm
Arbor.....	5/8-11" / M14-2 / M16-2
Weight	6lbs / 2.7kg
Cord	10ft / 3m single-phase cable

► STANDARD ACCESSORIES



BEFORE USE

 **DANGER!**

Before using the polisher, check the following items. In particular, check items 1 to 5 before plugging the power supply cord into the power outlet.

1. Check the working voltage.
 - Be sure the voltage specified on the nameplate is the voltage available at the power outlet. If the polisher is used with higher voltage than specified, the motor will burnout. Any attempts to do so may damage the polisher and/or cause an accident.
2. Make sure the ON/OFF switch is off.
 - If you plug in the power supply cord without realizing that the switch is ON, the polisher will start and may cause an accident.
 - When the switch is slid forward, the polisher is turned ON.
 - When it is slid backward, the polisher is turned OFF.
 - Make sure the switch is slid backward in OFF position before plugging the cord in the power outlet.
3. Inspect the protective disc cover.
 - Do not remove the rubber guard. It will protect you if the polishing disc breaks and against being splashed with water.
 - Be sure to firmly attach the polishing disc or any optional accessory.
4. Inspect the backer pad and polishing disc.

- Check if you have a specified backer pad and polishing discs.
- Never use cracked, chipped, or any damaged backer pads or polishing discs.
- Follow the procedures specified in the instruction manual to properly attach applicable accessories.

5. Check the power outlet.

- When the plug of the power supply cord is easily pulled out of the power outlet, the outlet should be replaced. For such task, consult an electrician. If the power outlet is used on a continuous basis, it may overheat and cause accidents.

6. Perform test runs.

 **WARNING!**

1. Before turning the switch ON, make sure the rotating parts are not touching anything. If the switch is turned ON while they are in contact with anything else, the disc may get damaged and it may cause injuries.
2. When a new disc is attached and the switch is turned ON, keep your body well away from the exposed sides of the disc for a moment until the polisher reaches its full speed.

It is very dangerous to perform polishing operations using cracked, chipped or damaged discs. Before starting polishing operations, keep the wheel away from anyone nearby. Be sure to perform a few test runs to check whether there are any abnormalities.

Test run duration:

- After replacing a polishing disc.....at least 1 minute
- Before starting operations each day.....at least 1 minute.

► **PREPARATION & INSPECTION**

About the applicable standard accessories

Attaching and removing standard and/or optional accessories.

 **DANGER!**

Be sure to unplug the power supply cord from the power outlet before attaching or removing recommended accessories to prevent accidents. Starting the motor accidentally may cause bodily injury.

⚠ WARNING!

Be sure to tighten any loose screws and applicable accessories.

1. Backer Pad Attachment Procedures (Figure-1)

- a) Place the polisher upward to attach the backer pad onto the spindle.
- b) Slide the wrench into provided slot located in the front of polisher to lock the spindle and proceed tightening the backer pad.
- c) Remove the wrench.
- d) Center and attach the polishing disc onto the backer pad by securely pressing onto the attachment.
- e) Cut rubber guard according to your needs.

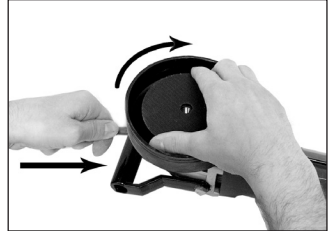


Figure-2

Note: If using the Alpha® Twistouch Turbo system for flat area applications together with the flat polishing caster, a “SPACER RING” may be needed to be placed between the spindle of AWP and Twistouch Adapter to level the height of the Twistouch Turbo abrasives with the flat polishing caster.)

2. Attaching the water hose. (Figure-3)

- a) Attach the polisher water hose fitting to a regular garden hose by tightening the fitting. The polisher water hose fitting will fit on any garden hose.

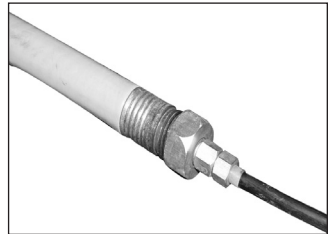


Figure-3

3. Attaching the C handle (handle A).

(Figure -4) The C handle (handle A) delivers better control and stability of the polisher when used with any of the following accessories; flat polishing caster, core drill bit or Twistouch Turbo.

- a) Slide the C handle (handle A) onto the gear case and match the holes pattern.
- b) Insert provided two screws (M8X16) into the holes and tighten them to securely attach the C handle (handle A) onto the gear case.



Figure-4

Note: Do not overtighten the two screws (M8X16). Doing

so you will risk stripping the threads.

4. Attaching the flat polishing caster.
The flat polishing caster was designed to aid polishing flat surfaces. To perform properly such application you need to have the C-handle (handle A) mounted. (Figure- 5)

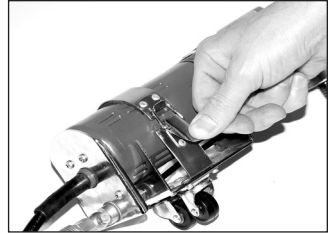


Figure-5

- a) Open the metallic strap to place the auxiliary frame onto the motor. Make sure the water pipe matches the two slots located at the base of flat polishing caster. The rollers should face the same position as the spindle.
- b) Lock the metallic strap around the motor to securely attach the flat polishing caster.

► REMOVAL PROCEDURES

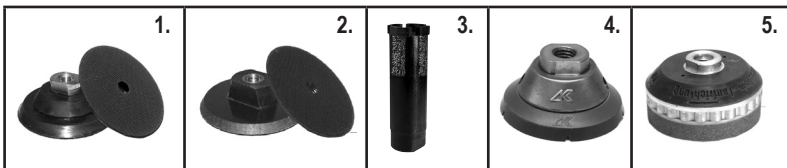
Repeat the attachment procedures in reverse order.

About the applicable optional accessories

The AWP-158 is equipped with 5/8"-11 spindle thread. Therefore, it can be equipped with a multitude of optional accessories as recommended below.

1. Alpha® Rubber or Rigid Backer Pads for Alpha® Ceramica Flexible Diamond Discs or Alpha Sand Paper
2. Alpha® Core Drill Bit
3. Alpha® Twistouch Turbo
4. Alpha® PVA - Quick Change System

► HOW TO POLISH



Rubber Backer Pad

Rigid Backer Pad

Core Drill Bit

Twistouch Turbo

PVA - Quick Change System

 **DANGER!**

1. During operation, be sure to wear personal safety equipment.
2. If you accidentally drop the polisher, do not use the polisher until checking that it is not cracked, deformed, or damaged. Check the polishing disc as well.

Before plugging the power supply cord into the power outlet, make sure the switch is turned OFF. If you plug in the power supply cord without realizing the switch is turned ON, the polisher will start and it may cause an accident.

1. Water valve operation
 - Turn ON the water valve lever to allow water to flow through the polisher.
2. Switch operation
 - Push the switch lever forward to start the polisher. Wait until the motor has reached its constant RPM (revolutions per minute).
3. Polishing procedure
 - When the polishing disc comes into contact with the workpiece make contact slowly.
 - Proceed polishing in a desired pattern using all polishing discs in recommended sequence.
4. Applying force onto the polisher
 - Do not apply more force onto the polisher than the force created by the weight of the polisher itself. The polishing disc is designed to work properly under light weight.
 - Applying excessive force or pressure may damage the disc and could shorten the machine's service life. Such action will decrease rotation speed, which reduces the efficiency of polishing action and jeopardize polishing results.

 **CAUTION!**

5. Precautions immediately after use.
 - After using the polisher, turn OFF the switch.
 - Once the disc stops rotating completely, put the polisher in a safe place. It may cause a unexpected accident if you touch the disc before the disc stops rotating.

► GROUND FAULT CIRCUIT INTERRUPTER:

A Ground Fault Circuit Interrupter (GFCI) is mounted at the end of power supply cord. The GFCI goes OFF when water enters inside the tool's housing preventing the operator from electric shocks.

DANGER!

When the GFCI goes OFF, the Reset button pops up. This is the result of water entering the polisher housing. Turn OFF the power switch and blow dry air inside the motor cover through the air vents. Press the GFCI Reset button. The polisher is ready to start working after the reset button is pressed down. (Figure-6)

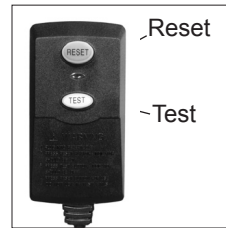


Figure-6

WARNING!

1. Do not remove the GFCI.
2. Check items below when the GFCI goes OFF frequently.
 - Force applied on the polisher.
 - Water entered inside the polisher.
 - Voltage drop due to sharing the same power source in work area.

MAINTENANCE AND INSPECTION

DANGER!

Before servicing the polisher, turn the switch OFF and unplug the power supply cord from the power outlet.

1. Check the attaching screws.
 - Before starting any operation, inspect polisher for loose screws.
 - If the polisher is used with loose screws, it is dangerous. Be sure to tighten them.

2. Checking the carbon brushes.

- Carbon brushes are located inside the motor . They wear out over time based on polisher usage.
- If a carbon brush is worn out, it may cause the motor to malfunction or fail. Whenever the length of the carbon brush reaches the wear limit , replace it with a new one.
- Keep the carbon brush clean, so it can slide freely in its brush holder.

⚠ CAUTION!

► HOW TO REPLACE CARBON BRUSHES

When replacing used carbon brushes with new ones, be sure to use only Alpha[®] genuine carbon brushes.

1. Disassemble.

- Remove the grounding screw from rear of the motor to release grounding wire.
- Remove all screws from the rear of the motor to release water line mounting plate.
- Slide out the motor cover.
- Locate the carbon brushes and pull the torsion spring with needle nose pliers. While holding the torsion spring, pull out the carbon brush.
- Pull the solderless connector on the carbon brush off of the terminal.



Figure-7

2. Assembly.

- Replace worn out carbon brushes with new ones and proceed assembling in reverse order described above.

⚠ CAUTION!

Do not pull the carbon brush out of its holder by the pigtail while the torsion spring is loaded, doing so will damage the torsion spring.

- After installing the new carbon brushes place the motor cover and tighten the screws.

If dust or dirt settles inside the motor, it may cause the polisher to malfunction. After 50 hours of operation, run the motor in no load mode and blow dry air through the vents of motor body. This is effective for removing dust or dirt.

3. **Cleaning the surface of the polisher.**
 - Do not use paint thinner, gasoline or any flammable fluids to clean the polisher. It may cause damage to its surface. Use a dry or damp cloth with a mild detergent dissolved in water.

4. **Store the polisher and parts in a safe place.**

Do not store the polisher in following areas.

 - Where children can reach the polisher.
 - Where it can be easily tampered with.
 - Where temperature and humidity fluctuate.
 - Where the polisher is exposed to direct sunlight.
 - Near ignitable or explosive materials.

SERVICES AND WARRANTY INFORMATION

► REPAIR

Although this polisher is precisely manufactured and assembled, do not try to repair it by yourself if it does not operate normally. Contact your dealer or Alpha Professional Tools® for authorized repairs.

► LOANER PROGRAM

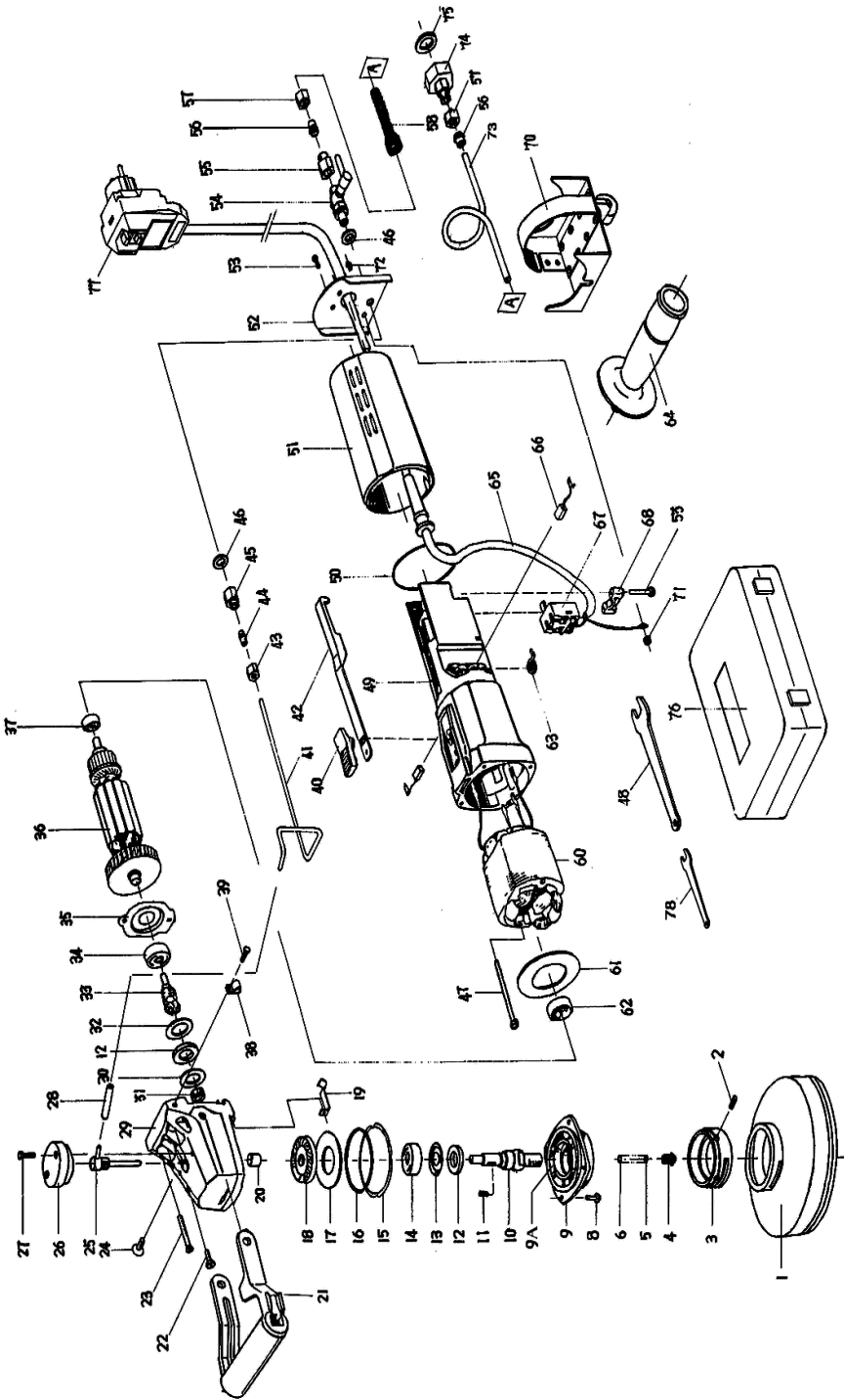
Loaner tools can be issued to temporarily replace a tool that is being returned to Alpha® for repair. If more than one tool is being returned for repair, the number of loaner tools provided will be based on availability.

If a loaner tool is required, contact Alpha® Tool Department at (800) 648-7229 to receive a Loaner Tool Application. A valid credit card number must be provided as a security deposit. The credit card will only be charged if the loaner tool is not returned to Alpha® within 30 days. An authorized signature is required for the credit card being used. A second signature is required as an agreement of the overall policy.

► NEED MORE INFO?

For information on Alpha Professional Tools® complete product line, visit us on the web at www.alpha-tools.com

ALPHA® AWP-158 SCHEMATIC



ALPHA® AWP-158 PARTS LIST

DRAWING NO.	PART NO.	DESCRIPTION	QUANTITY
1	AWP-01	Rubber Splash Guard	1
2	AWP-02	Set Screw (M5x4)	3
3	AWP-03	Ring Adapter	1
4	AWP-04	Water Jet	1
5	AWP-05	Supporting Ring	2
6	AWP-06	Gasket	3
8	AWP-08	Hex Head Screw M4x12	4
9	AWP-09	Gear Cap	1
9A	AWP-34-1	Rubber Plug	2
10A	AWP-10A	Spindle 5/8"-11	1
10B	AWP-10B	Spindle M14-2	1
11	AWP-11	Key	1
12	AWP-12	Sealing Ring	2
13	AWP-13	Ring Cover	1
14	AWP-14	Ball Bearing 6001ZZ	1
15	AWP-15	Distance Ring	1
16	AWP-16	Sealing Ring 48x1.2	1
17	AWP-17	Spring Washer 25mm OD	1
18	AWP-18	Crown Wheel	1
19	AWP-19	Water Line Clip	1
20	AWP-20	Bushing Brass 13mm OD	1
21	AWP-21	Handle (C-Shape) for AWP-158	1
22	AWP-22	Screw M8x4	2
23	AWP-23	Self-Tapping Screw 3.9x30	4
24	AWP-24	Screw M8x16	2
25	AWP-25	Center Water Feed Tube	1
26	AWP-26	Center Water Feed Adapter	1
27	AWP-27	Screw M4x25	2
28	AWP-28	Hose 8x5x4	1
29	AWP-29	Gear Case	1
30	AWP-30	Washer 23mm	1

ALPHA® AWP-158 PARTS LIST

DRAWING NO.	PART NO.	DESCRIPTION	QUANTITY
31	AWP-31	Threaded Bushing	1
32	AWP-32	Washer 25.5mm O.D.	1
33	AWP-33	Pinion Gear	1
34	AWP-34	Ball Bearing 6000DDW	1
35	AWP-35	Bearing Cover	1
36C	AWP-36C	Armature Assembly - 110V	1
36D	AWP-36D	Armature Assembly - 220V	1
37	AWP-37	Ball Bearing 607DDW	1
38	AWP-38	Water Line Clip/small	1
39	AWP-39	Screw M4x8	1
40	AWP-40	Switch Lever	1
41	AWP-41	Water Pipe	1
42	AWP-42	Switch Rod	1
43	AWP-43	Compression Nut	1
44	AWP-44	Compression Ring	1
45	AWP-45	Pipe Adapter	1
46	AWP-46	Gasket	2
47	AWP-47	Self-Tapping Screw 3.9x60	2
48	AWP-48	26mm Stop Spanner	1
49	AWP-49	Motor Case With Brush Holders	1
50	AWP-50	Sealing Ring 61x1.2	1
51	AWP-51	Cover	1
52	AWP-52	Water Line Mounting Plate	1
53	AWP-53	Self-Tapping Screw 3.9X20	4
54	AWP-54	Water Valve (for AWP-158)	1

ALPHA® AWP-158 PARTS LIST

DRAWING NO.	PART NO.	DESCRIPTION	QUANTITY
55	AWP-55	Water Fitting Adapter	1
56	AWP-56	Compression Ring	2
57	AWP-57	Compression Nut	2
58	AWP-58	Hose Protector	1
60A	AWP-60A	Field Assembly - 110V	1
60B	AWP-60B	Field Assembly - 220V	1
61	AWP-62	Fan Guide	1
62	AWP-62	Bearing Ring	1
63	AWP-63	Torsion Spring	2
64	AWP-64	Handle B (Side Handle)	1
65A	AWP-65A	Cord With GFCI - 110V	1
65B	AWP-65B	Cord With GFCI - 220V	1
66	AWP-66	Carbon Brush (2 Pc Set)	1
67	AWP-67	Switch	1
68	AWP-68	Strain Relief	1
70	AWP-69	Flat Polishing Caster	1
71	AWP-71	Nut M4	1
72	AWP-72	Screw M4x6	1
73	133229	Water Hose 8mm ODx10ft (3m)	1
74	AWP-74	Hose Coupling	1
75	AWP-75	Gasket 24x14x3	1
76	AWP-76	BMC (Blow Mold Case) for AWP-158	1
77A	AWP-77A	GFCI - 110V	1
77B	AWP-77B	GFCI - 220V	1
78	AWP-78	Wrench 14mm	1

EC DECLARATION OF CONFORMITY

Name of Manufacturer: Alpha Professional Tools®

Address of Manufacturer: 103 Bauer Drive
Oakland, NJ 07436
USA

Herewith declares that:

ELECTRIC HAND TOOL: "Alpha® Wet Polisher"

Make: Alpha Professional Tools®
Type: AWP-158/AWP-214/AWP-21C

-Does comply with the provisions of the Directive 98/37EC, 89/336EEC, 73/23EEC including the subsequent amendments.

And furthermore declares that:

-The following (parts/clauses of) harmonized standards have been applied: EN292-1, EN292-2, EN60204-1, EN50 144, EN55 104, EN50 014, EN60 555 and HD400.

Year of affix CE Marking: 2002

Oakland, New Jersey USA

May / 2002



Nao Takahashi
(President)

Limited Warranty of Alpha® Wet Polisher for the USA and Canada ONLY!

Alpha Professional Tools® warrants this product against defects in material and workmanship for a period of 180 days from the date of original retail purchase (proof of purchase required). If Alpha Professional Tools® receives notice of such defects during the warranty period, our obligation assumed under this warranty is limited to the repair or replacement of parts, without charge. This warranty does not apply to tool accessories.

For Warranty Claims: Send complete tool with all your information and details of the problem to the address printed on the cover of this manual, transportation prepaid. Do not send tool accessories.

PRODUCT REGISTRATION CARD

Model No.

Serial No.

Company Name: _____

Name: _____

Address: _____

City: _____ State: _____ Zip: _____

Telephone: _____

Purchase Date: _____

Dealer's Name: _____

Note: Serial & Model Number must be included for proper registration.



Alpha Professional Tools®

(800) 648-7229



Register online at:
www.alpha-tools.com/productregistration.aspx

Mail or Fax to:
Alpha Professional Tools®
103 Bauer Drive, Oakland, NJ 07436
Fax: 800-286-0114



103 Bauer Drive, Oakland, NJ 07436 • 800-648-7229 • Fax: 800-286-0114
www.alpha-tools.com

Copyright © 2012 Alpha Professional Tools. All rights reserved.

9/11/12